

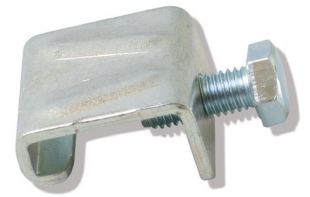
T - 482101 - UFC-25 UNIVERSAL FLANGE CLAMP

General description

The UFC universal flange clamp is designed to tight up the flanges of two duct sections.

It will ensure a better compression of the sealing gasket between flanges and will rigidify the assembly.

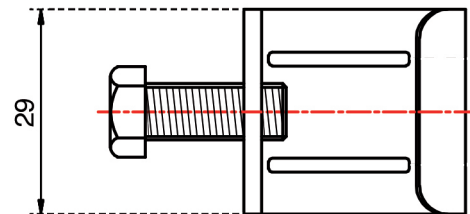
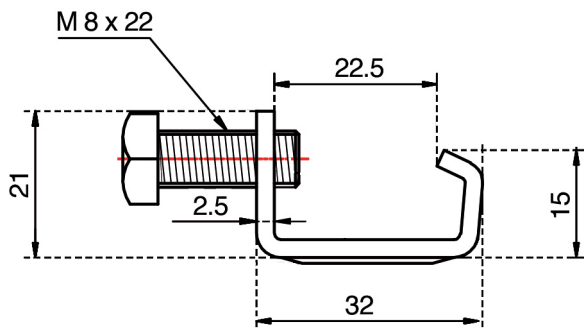
Our UFC-25 clamp is suitable for all types of flanges.



Technical description

- Galvanized steel
- Standard thickness 2,5 mm
- Hexagonal head screw M8
- Delivered in boxes of 200 PCS

Dimensions



Application

We recommend to fasten one clamp every 20 cm and at least one clamp on each side.

