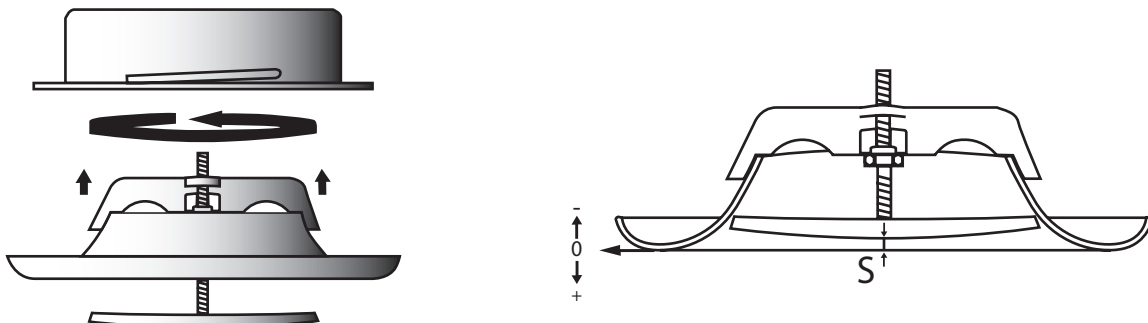


T - 721 - E-SVF

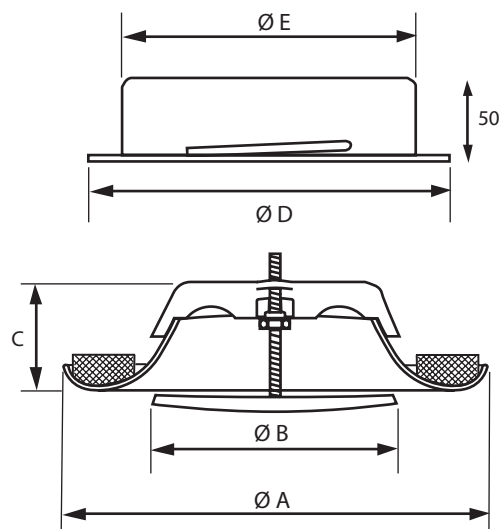
EXHAUST STEEL AIR VALVE

General description

- Exhaust steel air valve
- Adjustable inner core
- 50 mm deep galvanized steel mounting frame
- Couleur : white RAL 9010 (also available in RAL 9016)
- Available diameters : 80-200 mm



Technical specifications



TYPE	A (mm)	B (mm)	C (mm)	D (mm)	E (mm)
E-SVF 80	116	60	38	105	79
E-SVF 100	140	76	38	125	99
E-SVF 125	166	100	45	150	124
E-SVF 150	203	120	50	175	149
E-SVF 160	210	130	50	186	159
E-SVF 200	250	160	56	225	199

Tolerance : +/- 3 mm except Dia E: Tolerance: +/- 1 mm

Information contained herein is based on careful tests and experience. It reflects our knowledge and is for guidance purpose only. It is given in good faith and user should ensure that the product is fit for purpose before any application. The quoted values are average and should not be taken as maximum or minimum values for specific purposes. Manufacturer and distributor are not responsible for any non-recommended use or consequential damage.

2017.07.24

T - 721 - E-SVF

EXHAUST STEEL AIR VALVE



Sound attenuation and airflow characteristics

Selon ouverture «S»

DIAMETERS	AIRFLOW (m3/h)	AIRFLOW (l/s)	OPENING «S» (mm)	DELTA PT (Pa)	dBA
Dia 80 mm	40	11	3	35	22
			0	80	31
	60	17	9	40	30
			6	55	32
Dia 100 mm	80	22.2	3	100	38
			8	35	25
			6	55	30
	100	27.8	4	85	34
			10	58	33
			8	72	36
120	33.3	10	68	36	
Dia 125 mm	100	27.8	10	68	36
			6	35	23
			3	50	26
	140	39	0	90	34
			15	28	25
			12	34	27
			9	45	28
			6	65	33
			3	100	36
	180	50	15	45	32
			12	50	33
			9	70	35
10			25	20	
5			42	23	
2			70	30	
Dia 160 mm	160	41	0	90	35
			10	40	24
			5	68	30
			2	95	35
	200	56	15	38	26
			10	59	30
			5	95	36
	250	69	15	38	26
			10	59	30
5			95	36	
Dia 200 mm	300	83	15	35	27
			12	50	30
			9	68	32
			6	100	35
			20	25	25
	350	97	20	35	30
			15	55	33
			12	70	35
	400	111	20	50	34
			15	65	36
			15	65	36

Information contained herein is based on careful tests and experience. It reflects our knowledge and is for guidance purpose only. It is given in good faith and user should ensure that the product is fit for purpose before any application. The quoted values are average and should not be taken as maximum or minimum values for specific purposes. Manufacturer and distributor are not responsible for any non-recommended use or consequential damage.

2017.07.24