

T - 723 - SV-SS

AIR VALVES IN STAINLESS STEEL

General description

For air extraction and air supply

Stainless steel 304

Adjustable inner core

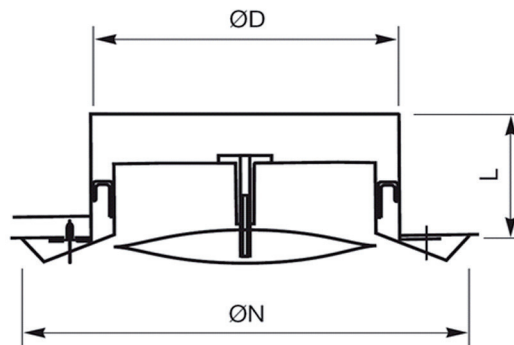
Stainless steel mounting frame

Brushed finished

Available diameters: from 100 to 200 mm



Technical Specifications



TYPE	Dia D (mm)	Dia N (mm)	L (mm)
SV-SS 100	100	140	50
SV-SS 125	125	170	50
SV-SS 150	150	218	63
SV-SS 160	160	218	63
SV-SS 200	200	298	80

Information contained herein is based on careful tests and experience. It reflects our knowledge and is for guidance purpose only. It is given in good faith and user should ensure that the product is fit for purpose before any application. The quoted values are average and should not be taken as maximum or minimum values for specific purposes. Manufacturer and distributor are not responsible for any non-recommended or consequential damage.

2016.07.15