

T - 724 - PVFR

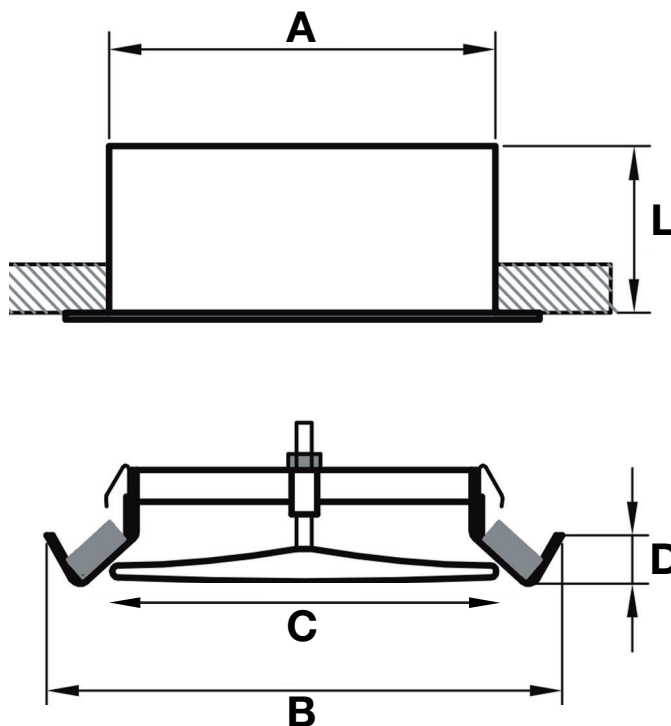
SUPPLY & EXHAUST ABS AIR VALVES

General description

Supply and exhaust ABS air valves
Adjustable inner core
Mounting frame and clamping ring
Material : Polypropylene
Colour : white, RAL 9010
Available diameters: 100, 125, 150, 200 mm



Technical specifications



TYPE	A (mm)	B (mm)	C (mm)	D (mm)	L (mm)
PVFR 100	99	149	89	23,5	50
PVFR 125	124	165	109	23,5	50
PVFR 150	149	180	130	23,5	50
PVFR 200	199	230	177	23,5	50

Information contained herein is based on careful tests and experience. It reflects our knowledge and is for guidance purpose only. It is given in good faith and user should ensure that the product is fit for purpose before any application. The quoted values are average and should not be taken as maximum or minimum values for specific purposes. Manufacturer and distributor are not responsible for any non-recommended use or consequential damage.

2016.07.07

Sound attenuation and airflow characteristics

DIAMETERS	AIRFLOW (m3/h)	AIRFLOW (l/s)	OPENING (mm)	DELTA PT (Pa)	dBA
100 mm	54	15	15	25	25
	72	20	18	40	30
	108	30	20	80	38
Dia 125 mm	72	20	9	58	38
	108	30	17	68	35
	144	40	23	70	35
Dia 150 / 160 mm	108	30	10	70	40
	144	40	18	68	35
	180	50	25	70	33
Dia 200 mm	108	30	17	60	38
	144	40	22	68	35
	180	50	25	72	35

Information contained herein is based on careful tests and experience. It reflects our knowledge and is for guidance purpose only. It is given in good faith and user should ensure that the product is fit for purpose before any application. The quoted values are average and should not be taken as maximum or minimum values for specific purposes. Manufacturer and distributor are not responsible for any non-recommended use or consequential damage.

2016.07.07