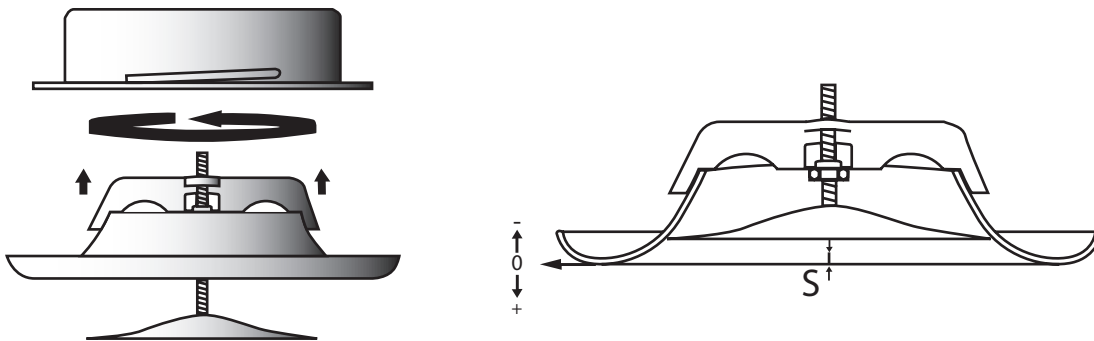


# T - 721- S-SVF

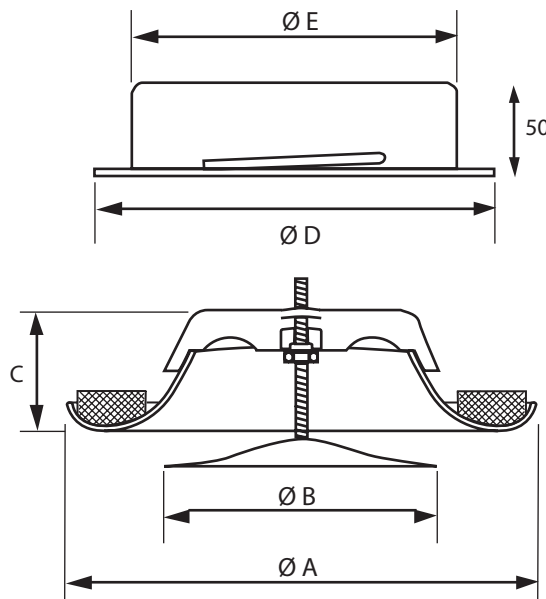
## SUPPLY STEEL AIR VALVES

### General description

- Supply steel air valves
- Adjustable inner core
- 50 mm deep galvanized steel mounting frame
- Colour : white RAL 9010 (also available in RAL 9016)
- Available diameters : 80 - 200 mm



### Technical specifications



TYPE	A (mm)	B (mm)	C (mm)	D (mm)	E (mm)
S-SVF 80	116	80	38	105	79
S-SVF 100	140	93	38	125	99
S-SVF 125	166	112	45	150	124
S-SVF 150	203	137	50	175	149
S-SVF 160	210	148	50	186	159
S-SVF 200	250	195	56	225	199

Tolerance : +/- 3 mm except Dia E: Tolerance: +/- 1 mm

Information contained herein is based on careful tests and experience. It reflects our knowledge and is for guidance purpose only. It is given in good faith and user should ensure that the product is fit for purpose before any application. The quoted values are average and should not be taken as maximum or minimum values for specific purposes. Manufacturer and distributor are not responsible for any non-recommended use or consequential damage.

2017.07.24

# T - 721- S-SVF

## SUPPLY STEEL AIR VALVES

### Sound attenuation and airflow characteristics

according to «S» opening

DIAMETERS	AIRFLOW (m3/h)	AIRFLOW (l/s)	OPENING «S» (mm)	DELTA PT (Pa)	dB(A)
Dia 80 mm	60	17	6	36	23
			3	45	26
			0	68	31
	80	22	9	45	28
			6	60	30
			3	76	34
			0	120	37
	100	36	12	80	35
	Dia 100 mm	100	28	10	50
5				90	28
0				180	35
125		35	10	70	28
			5	140	34
150		42	10	100	33
	5		200	38	
Dia 125 mm	130	36	6	38	21
			3	48	24
			0	70	28
			-3	100	31
	160	44	6	55	27
			3	75	28
			0	110	34
	190	53	9	70	30
			6	110	34
Dia 160 mm	160	44	5	46	22
			0	70	24
			-5	120	30
	190	53	5	70	25
			0	100	28
			-5	180	35
	220	61	10	55	24
			5	85	28
			0	130	32
			-5	180	35
			10	70	27
	250	69	5	130	32
0			180	35	
10			70	27	
Dia 200 mm	300	83	10	35	22
			0	65	32
			-5	88	30
			-10	140	36
	350	97	10	49	26
			0	100	34
	400	111	10	55	28
			0	120	35

Information contained herein is based on careful tests and experience. It reflects our knowledge and is for guidance purpose only. It is given in good faith and user should ensure that the product is fit for purpose before any application. The quoted values are average and should not be taken as maximum or minimum values for specific purposes. Manufacturer and distributor are not responsible for any non-recommended use or consequential damage.

2017.07.24